

The 29LV123A71UN/1 Industrial LCD monitor has been designed as replacement for 10" CRT monitors now that supplies of 10" CRTs are difficult to obtain.

KME has designed a rugged LCD monitor module, of minimum width, to match the dimensions of many 10" CRT monitor chassis. When the CRT is removed from the existing chassis metalwork the LCD monitor (mounted on a metal panel with fixing holes to match the CRT Lugs) can be fitted in place.

A wide range of signal timings from 15kHz up to SVGA standard, including CGA & EGA legacy signals can be accepted by the LCD monitor. Set-up controls for finetuning of the display are located at the rear of the monitor. Once set, no further adjustments should be required, and the last setting is stored in memory.

Accessory cables for 9D-15D and RCA-15D are available, as are special cables for non-standard interfaces. nts should be required, and the last setting is stored in memory.

Features

- For 14" colour CRT monitor replacement
- Front plate to suit 14" CRT fixing lug
- Original CRT chassis stays in place
- Analogue & TTL video inputs
- Non-standard legacy signals easily programmed
- Non glare acrylic for TFT protection
- Optional touchscreen integration

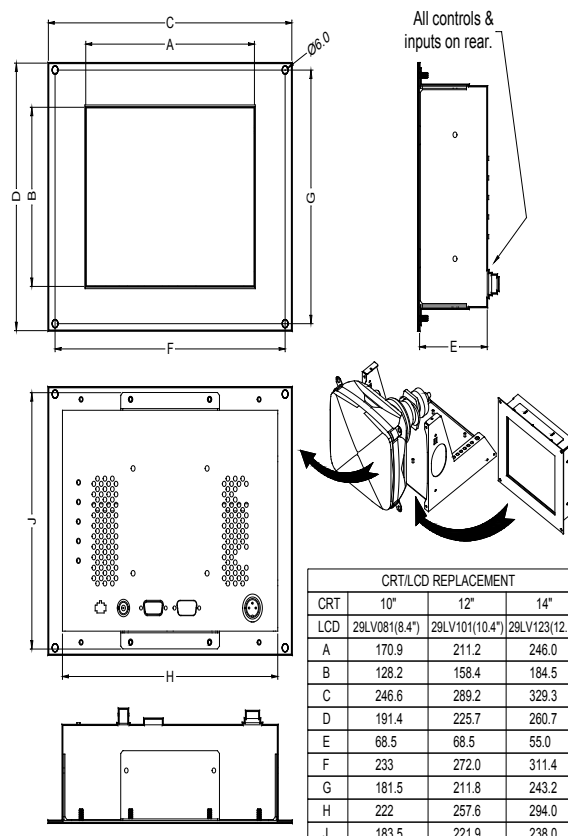
12.1" LCD Chassis Replacement Monitor for 14" CRT 29LV123A71UN



Specifications: see next page

| Specifications | | |
|-----------------------|---|--|
| TFT Characteristics | Type Max. Resolution Active Display Area Contrast Ratio Brightness Viewing angles (at CR>10) Backlight life Nr. of colours Clock rate | AM Colour TFT 800 x 600 pixels 246 x 184.5 mm 500:1 typical 400 cd/m ² typical 140°H, 110°V 50,000 hrs typical 256K 80MHz max |
| Input connectors | 5 x BNC 75R, 15-pin HD Female | |
| Video Signal | Analog RGB 0.7-1.0Vp-p | or TTL RGB > 2.75Vp-p (via special TTL accessory cable) |
| Signal Sync | Separate H&V (+/-ve) TTL | or Composite (-ve) TTL or Sync-on-Green (-ve) 0.3V |
| Synchronisation Range | Horizontal scan Vertical scan | 15 to 60kHz 40 to 100Hz |
| Multiscan Support | 640 x 480 VGA 800 x 600 SVGA + pre-programmed timings in 15-30kHz range | |
| Power supply | 90 - 260V AC (DC option available) | |
| Power consumption | 30W (Max) | |
| Front Panel | Black painted aluminium | |
| Dimensions | 340 x 268 x 55mm | |
| Weight | 3.8 kg approx | |
| Environmental | Storage temp. Operating temp. | -20°C to 60°C 0°C to 50°C |
| Part numbers | | |
| Model | 29LV123A71UN/1 | |
| Optional Model | 29LV123E71UN/1 (12V DC) | |

Specifications are subject to change without notice.



• Monitors

- Desktop Monitors
- Large screen Monitors
- Custom-made Monitors
- 19" Rack Mount Monitors
- Rear Mount Monitors
- Monitors for Panel Mount
- Monitors for VESA Mount
- Kiosks
- Accessories

• Monitors – Specific applications

- Stainless Steel Monitors
- Car Displays
- Marine Monitors
- Military Monitors
- Replacement Monitors
- Train Monitors

• Panel PC's

- High Performance Systems
- Custom made Panel PC's
- Low Power Systems
- Extreme environments

• Pointing devices

- Accessories
- Touchpads
- Trackballs
- Trackball Modules
- Joysticks
- Custom made Pointing Devices

• Keyboards

- Desktop Keyboards with or without pointer
- Built-in Keyboards with or without pointer
- Cables & Connectors
- Custom made Keyboards



Mulder-Hardenberg, est. 1927, is the answer to professional demands in the domain of electronic related environments. We don't just sell products. We use our multidiscipline knowledge to provide the best possible solution, designed to your specific interest.

Contact details:

The Netherlands
Mulder-Hardenberg B.V.
Westerhoutpark 1a
2012 JL Haarlem
Tel.: +31 23 531 91 84
infolnl@m-h.biz

Belgium, France, Luxemburg
Mulder-Hardenberg N.V.
Hoge Weg 129
B-2940 Stabroek
Belgium
Tel.: +32 3 660 13 20
infobe@m-h.biz

Germany
Mulder-Hardenberg GmbH
Nordring 13
D-65719 Hofheim/Ts
Tel.: +49 6192 - 97 91 85
infode@m-h.biz